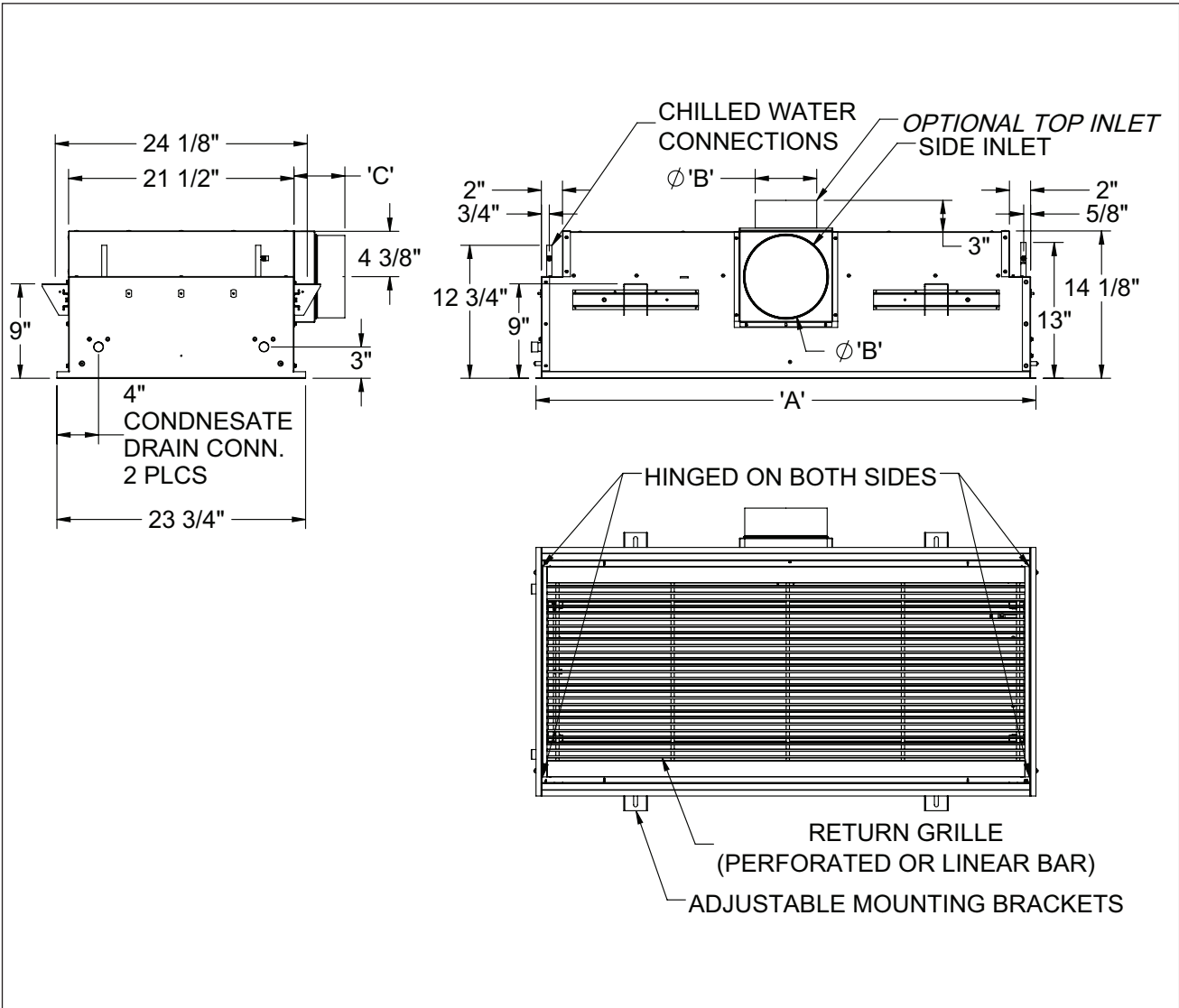


CBLV UNIT DIMENSIONS



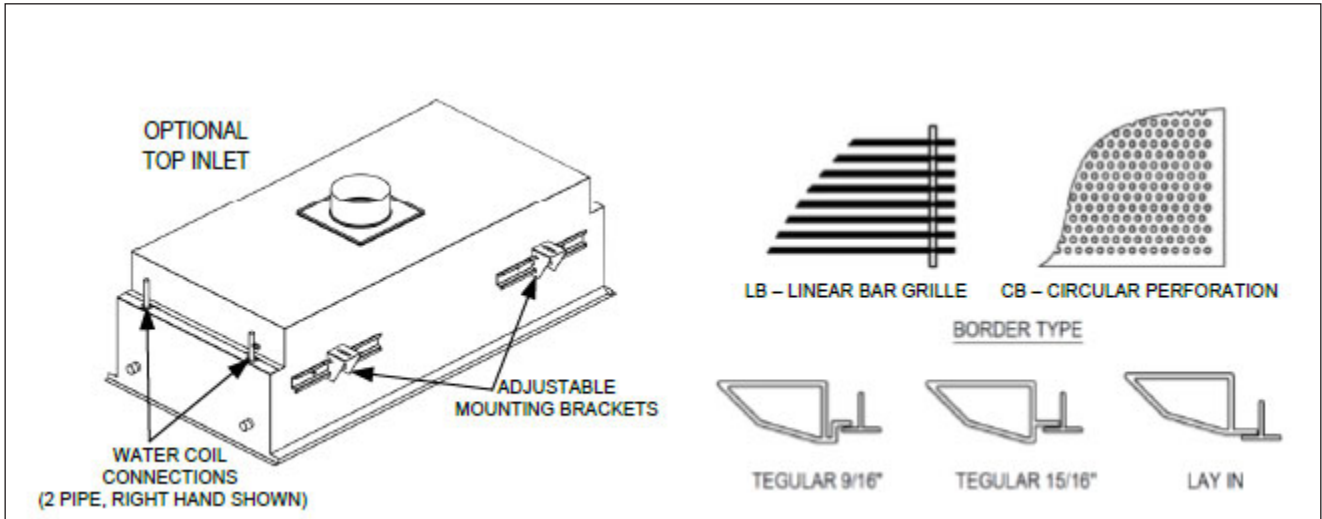
Nominal Unit Length (ft)	'A' (IN)
2	23 <sup>3</sup> / <sub>4</sub>
3	35 <sup>3</sup> / <sub>4</sub>
4	47 <sup>3</sup> / <sub>4</sub>
5	59 <sup>3</sup> / <sub>4</sub>
6	71 <sup>3</sup> / <sub>4</sub>
7	83 <sup>3</sup> / <sub>4</sub>
8	95 <sup>3</sup> / <sub>4</sub>
9	107 <sup>3</sup> / <sub>4</sub>
10	119 <sup>3</sup> / <sub>4</sub>

Nominal Unit Length (ft)	'B' (IN)	'C' (IN)*
4	3 <sup>7</sup> / <sub>8</sub>	7
5	4 <sup>7</sup> / <sub>8</sub>	5
6	5 <sup>7</sup> / <sub>8</sub>	5
8	7 <sup>7</sup> / <sub>8</sub>	5

\*Side Inlet Only

Integrated 1/4" pressure port for balancing/commissioning accessible from roomside opposite coil connection

CBLV UNIT OPTION DETAILS



CBLV INLET, DISCHARGE AND PIPING CONFIGURATION

